

Industries served

Refinery - Chemical and Petrochemical Industry -
Industrial Refrigeration - Liquefied Petroleum Gas Plants -
Galvanizing Industry - Pharmaceutical Industry -
Food Industry - Research Centers - Nuclear Plants

MPUMPS CORP

414 West Phillips, Suite 100
Conroe – TX – 77301
Mobile Worldwide +39 331 664 5376
www.mpumpscorp.com
info@mpumpscorp.com



For more information please contact:



Printed 04/02/2011

PRODUCT OVERVIEW



The Fine Art of Magnetic Drive Pumps



What you get from MPUMPS: 21st century design, materials and engineering technology.

Since its foundation MPUMPS has specialized in the application, engineering and distribution of technically advanced, hermetically sealed pumping systems. Industries worldwide have found an extensive program to serve their needs.



MPUMPS sealless Mag-Drive Pumps are now available in 26 designs with over 350 basic models. This wide range of pumps allows our engineering department to meet your exact process requirements.



All MPUMPS sealless equipments are engineered according to new environmental regulations as defined within the 1990 EPA Clean Air Act.



Worldwide comprehensive service.

MPUMPS units are serviced through an international network of well trained stocking distributors providing engineering, application assistance, systems design and in-the-field troubleshooting.

THE FIELDS



OFFSHORE PLATFORM

MPUMPS units are used as Booster and circulation pumps for hydrocarbons, water, liquid gas, crude oil, cooling systems.

REFINERY AND PETROCHEMICAL PLANTS

A wide range to cover many applications in refinery and petrochemical plants.



RESEARCH

MPUMPS is the exclusive supplier of important research departments, for thermoregulation systems and sampling for the process analyzers, alcohols circulation in column, glycol water / kerosene, solvents and reagents.

CHEMICAL INDUSTRY

Pumping of heat transfer fluids, difficult to seal liquids, aggressive, explosive and toxic liquids, acids, lyes, ultra pure liquids.



PHARMACEUTICAL INDUSTRY

Pumping of insuline, acetone, isobutyl alcohol Hcl, sodium hydroxide, pure water, deionized water, and demi-water, methanol, ethanol.

REFRIGERATION AND THERMOREGULATION

MPUMPS low NPSH pumps are used in cooling and refrigeration for industrial systems.

Pumping of ammonia, silicone oil, ethilen glycol, diatermic oil.



NUCLEAR PLANTS

Pressurization of D2O in the main circuit of the reactors, Pumping of oxalic acid, demi-water at 300°C, Hcl, nuclear fuel, heavy water and various radioactive liquids.

SPECIAL PUMPS



C MAG-MS
Acc.to API 685

Flow up to 2200 GPM
Head up to 4265 ft
High Temperature Version



CN MAG-M
Acc. To API 685

special constructions for
dirty liquids,
high temperatures
and pressure
Flow up to 17600 GPM
Head up to 1050 ft
INCOLOY 825, HASTELLOY C 276,
TITANIUM ALLOY



CN MAG-M
SPECIAL CONSTRUCTION

Special constructions
for cryogenic
applications.



T MAG-XPM

Flow up to 52 GPM
Head up to 600 ft
system pressure
up to 1500 bar



T MAG-M
SPECIAL CONSTRUCTION

Flow up to 52 GPM
Head up to 2200 ft
INCOLOY 825,
HASTELLOY C 276,
TITANIUM ALLOY



VANEMAG HT

Flow up to 14 GPM
Head up to 120 PSI
temperature up 700°F



T MAG-M HT

HT construction
for temperature
up to 660°F



PT 100 DEVICES

For temperature
monitoring of rear casing



Dry running protector and
cavitation detector sensor free
For a complete protection
of every units



ATEX CERTIFICATION

Available for all the models



CT MAG-M Acc. to API 685

Special version with
mechanical speed
multiplier for speed
up to 4500 RPM



CN MAG-M Acc. to API 685

Execution of special
arrangement for dirty or
clean pumpage
Acc. To API 685

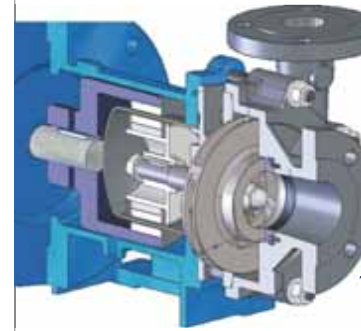


CN SEAL-M Acc. to API 610

Execution of special
arrangement for dirty or
clean pumpage
Acc. To API 610

OPTIONS

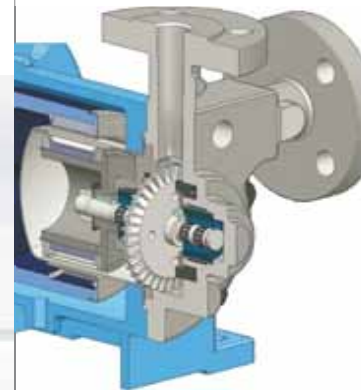
PUMP FAMILY



CENTRIFUGAL with close impeller

for all pumping problems
from the simplest to the hardest.
Transfer, unloading, circulation...
High efficiency, long life and low cost maintenance.
Hermetically sealed as there are no mechanical seals.
Modular construction, quick and simple maintenance.

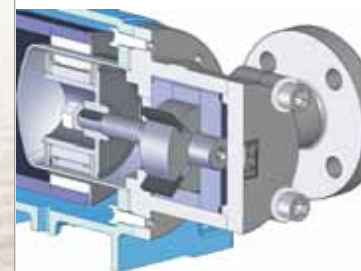
Flow up to 17600 GPM (4000mc/h)
Head up to 4265 ft (1300m)
Pressure from vacuum up to 7250 PSI (500BAR)
Temperature from -300°F (-150°C) up to 840°F (+450°C)
No heat exchanger required up to 660°F(350°C)



PERIPHERAL REGENERATIVE TURBINE PUMPS

Low to medium flows,
pulsation free, systems where high pressure is required.
Very simple pump for medium and high pressure,
used for low flow and high head duty where the traditional
centrifugal pumps are not suitable.
Very often this type of hydraulic can be used
instead of a multistage pump.
Ideal pump for long distances or high head.

Flow up to 132 GPM (30 mc/h)
Head up to 3280 ft (1000 m)
Pressure from vacuum up to 7250 PSI (500BAR)
Temperature from -300°F (-150°C) up to 840°F (+450°C)
No heat exchanger required up to 660°F(350°C)



VOLUMETRIC SLIDING VANE PUMPS

Pulsation free Dosing,
injection and small transfer, no wetted self priming up to 4m.
A very simple cartridge exchange, at low cost,
allows increase or decrease the performances if required.
The only wearing parts on this type of machine
is the internal equipment

Flow: 1° Range from 15 GPH (60l/h) to 145 GPH (550l/h)
2° Range from 170 GPH (650l/h) to 340 GPH (1300l/h)
3° Range from 500 GPH (1900l/h) to 925 GPH (3500l/h)
Discharge pressure up to 200 PSI (14BAR)
Temperature from -212°F (-100°C) to 480°F (+250°C)

METALLIC PUMPS



C MAG-MS SERIES
Acc.to API 685
Flow up to 2200GPM
Head up to 4265 ft



CN MAG-M API SERIES
Acc.to API 685
Flow up to 17600
Head up to 1050 ft



WA MAG-M SERIES
Acc.to API 685
Flow up to 440 GPM
Head up to 280 ft



WD MAG-M SERIES
Flow up to 440 GPM
Head up to 280 ft



CN MAG-M SERIES
Acc.to DIN EN 22858
BF VERSION
Flow up to 17600 GPM
Head up to 1050 ft



CN MAG-M SERIES
Acc.to DIN EN 22858
Flow up to 880 GPM
Head up to 330 ft



CN MAG-M SERIES
Acc.to ANSI B 73.3
Flow up to 17600 GPM
Head up to 1050 ft



CN SEAL-M SERIES
Acc.to API 610 11th ed.
Flow up to 17600 GPM
Head up to 1050 ft



CM MAG-M SERIES
Flow up to 200 GPM
Head up to 180 ft



CT MAG-MS SERIES
Flow up to 132 GPM
Head up to 3280 ft
NPSHr up to 1.7 ft



CT MAG-M SERIES
Flow up to 53 GPM
Head up to 395 ft
NPSH up to 1.7 ft



T MAG-M SERIES
Flow up to 53 GPM
Head up to 395 ft



CV MAG-M SERIES
Flow up to 15.5 GPM
Head up to 203 PSI
NPSH up to 1.7 ft



VANEMAG SERIES
Flow up to 15.5 GPM
Head up to 203 PSI



V IN LINE SERIES
Flow up to 15.5 GPM
Head up to 203 PSI



V MULTISTAGE SERIES
Flow up to 15.5 GPM
Head up to 350 PSI



V MODULAR SERIES
Flow up to 10.5 GPM
Head up to 725 PSI



T ECO MAG-M SERIES
Flow up to 8 GPM
Head up to 330 PSI



MHV MAG-M SERIES
Flow up to 200 GPM
Head up to 145 PSI



CNV MAG-M SERIES
Centrifugal Vertical
Mag-Drive pumps
Flow up to 1750 GPM
Head up to 1050 ft
Lenght up to 23 ft



CN MAG-MV SERIES
Centrifugal Vertical
in line Mag-Drive pumps
Flow up to 17600 GPM
Head up to 1050 ft



SC MAG-M SERIES
Side channel Mag-Drive pumps
Flow up to 220 GPM
Head up to 1640 ft
Self priming up to 16.5 ft



GS MAG-M SERIES
Volumetric gear Mag-Drive pumps
Flow up to 423 GPM
Head up to 435 PSI

NON METALLIC PUMPS



CMP ARMORED SERIES
Acc.to DIN EN 22858
Flow up to 440 GPM
Head up to 280 ft



C MAG-PL SERIES
Acc.to DIN EN 22858
Flow up to 660 GPM
Head up to 190 ft



C MAG-P SERIES
Acc.to DIN EN 22858
Flow up to 660 GPM
Head up to 190 ft



CSP MAG-P SERIES
Flow up to 310 GPM
Head up to 105 ft
Self-Priming up to 16.5 ft



CM MAG-P SERIES
Flow up to 190 GPM
Head up to 120 ft



TSP MAG-P SERIES
Flow up to 61 GPM
Head up to 240 ft
Self-Priming up to 16.5 ft



T MAG-MP SERIES
Flow up to 61 GPM
Head up to 240 ft



T MAG-P SERIES
Flow up to 61 GPM
Head up to 240 ft



VP SERIES
Flow up to 15.5 GPM
Head up to 87 PSI



CMV MAG-P SERIES
Centrifugal Vertical
Mag-Drive pumps
Flow up to 190 GPMh
Head up to 120 ft
lenght up to 1.65 ft



CV MAG-P SERIES
Centrifugal Vertical
Mag-Drive pumps
Flow up to 310 GPM
Head up to 105 ft
lenght up to 16.5 ft



STANDARD PUMP MODELS ARE AVAILABLE FROM STOCK OR IN A VERY SHORT LEAD TIME