

# Liberty LL12H

## Progressive Cavity Pump

### Features

- \* Modular Design
- \* Maintenance Free
- \* Easy Assembly/Disassembly
- \* Simple Pin-Joint Connection
- \* Non-Pulsating Low Shear
- \* NPT Discharge Connection

### Pump Description

The Liberty LL12H PC Pump is an ideal industrial-sized progressive cavity pump for abrasive pumping applications and high-viscosity industrial chemical applications like thickened grease, scum and slurries. Flow rate (65 gallons/100 revolutions) 123 up to 380 GPM and represents one of our most popular heavy duty models of Progressive Cavity Pumps for Industry currently carried by Liberty Process.

The Liberty LL12H Series PC Pump is a standard suction flanged pump manufactured with cast iron or 316 stainless steel casings and designed in 1, 2, and 3 stages for 75, 150 and 225 psi discharge pressures.

The pump unit is a modular design with simple hardened pinned joint drive assembly. Rotors are typically hardened tool steel or 316 stainless steel with a hard chrome plating for long life in abrasive and erosive applications. All other wetted parts are either carbon steel or 316 stainless steel for added durability.

Stators are available in many elastomer materials such as buna, natural rubber, epdm and viton. The standard seal design is a set of gland packing with Lantern Ring and Flush Connections. Mechanical seal options are readily available. The Liberty unit is a low-cost, maintenance free, dependable drop-in replacement pump which will give you the service you need at a price you can afford.

The Liberty LL12H Progressive Cavity Pump parts are direct aftermarket replacements that work with the Moyno™ L12H Series, Tarby™ TL12H Series and Continental™ CL12H Series.\*

Contact a Liberty Process representative today for more information about the LL12H Series.

### Materials

**Rotor:** Tool Steel & Stainless Steel, Chrome-Plated

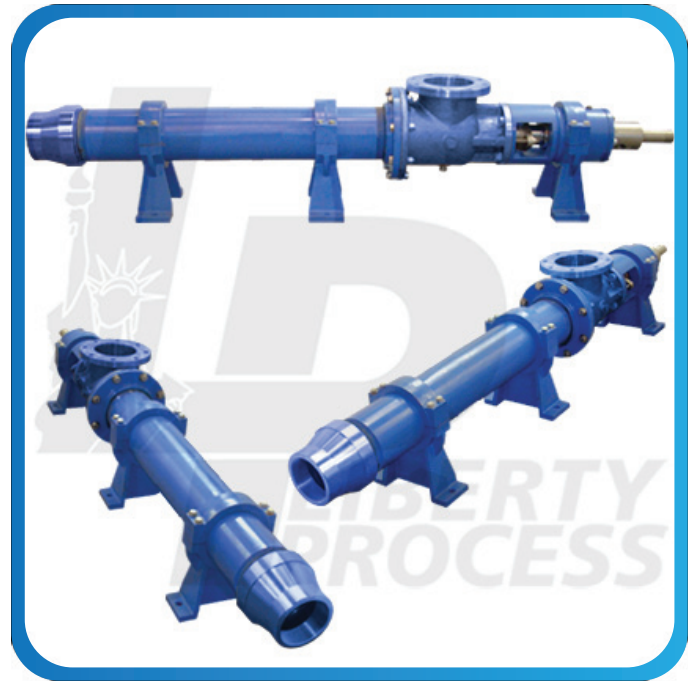
**Stator:** Buna, Rubber, Viton™, EPDM

**Motor:** 3, 5, 7.5, 10, 15, 20, and 25 hp

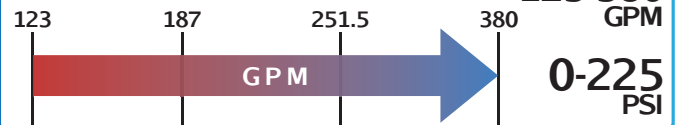
**Inlet:** 8"

**Outlet:** 6"

**Bases:** Carbon and Stainless Steel



### Liberty LL12H



### Curves



Single Stage



Double Stage

Please Click the Icon

### Drawings



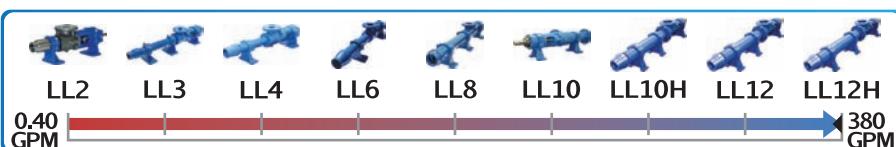
Single Stage



Double Stage

Please Click the Icon

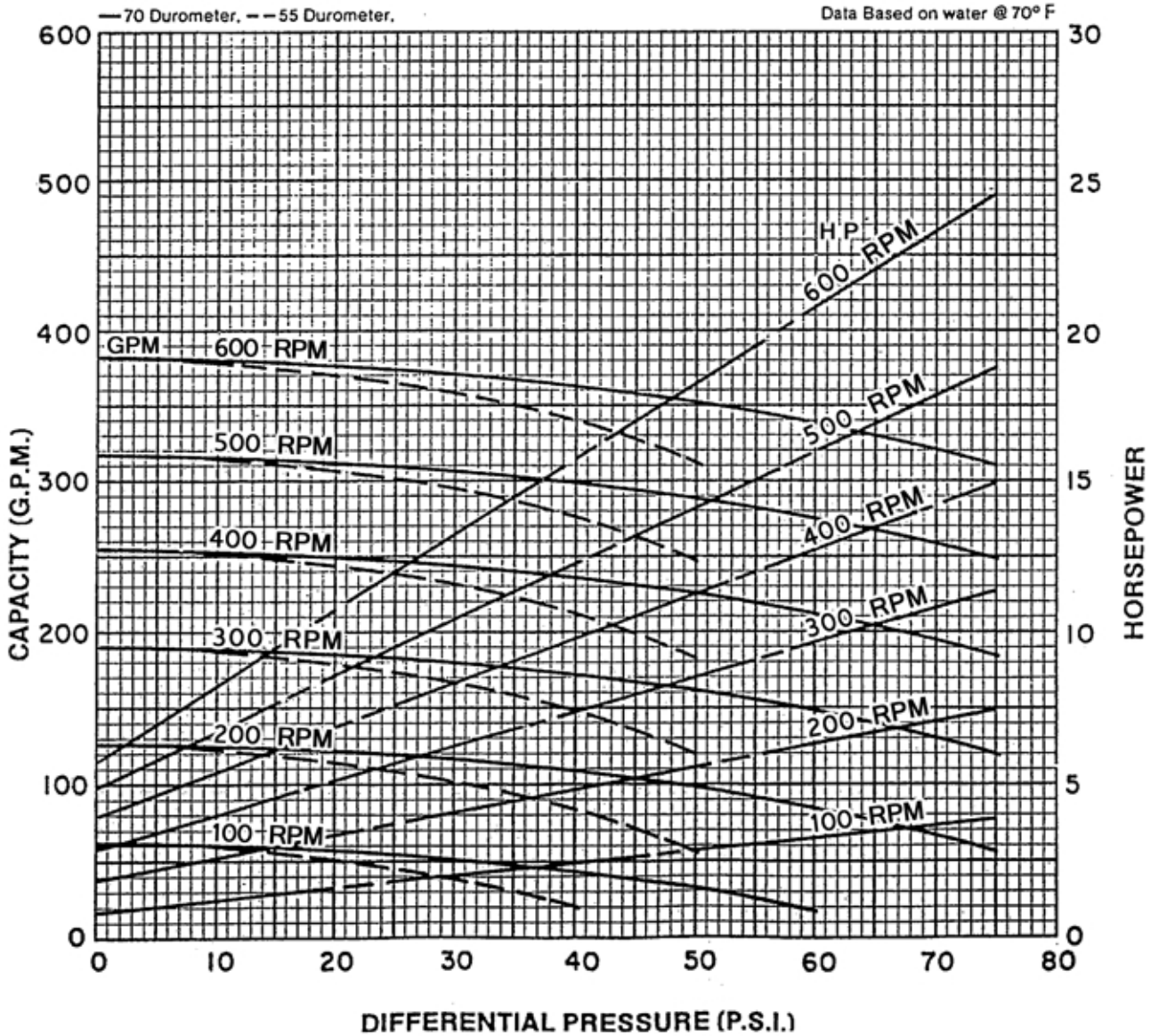
Click To Visit [www.libertyprocess.com](http://www.libertyprocess.com) >>



Liberty Process Equipment, Inc.  
 2525 S Clearbrook Dr.  
 Arlington Heights, IL 60005-4623  
 P-(847) 640-7867  
 F-(847) 640-7855  
 sales@libertyprocess.com

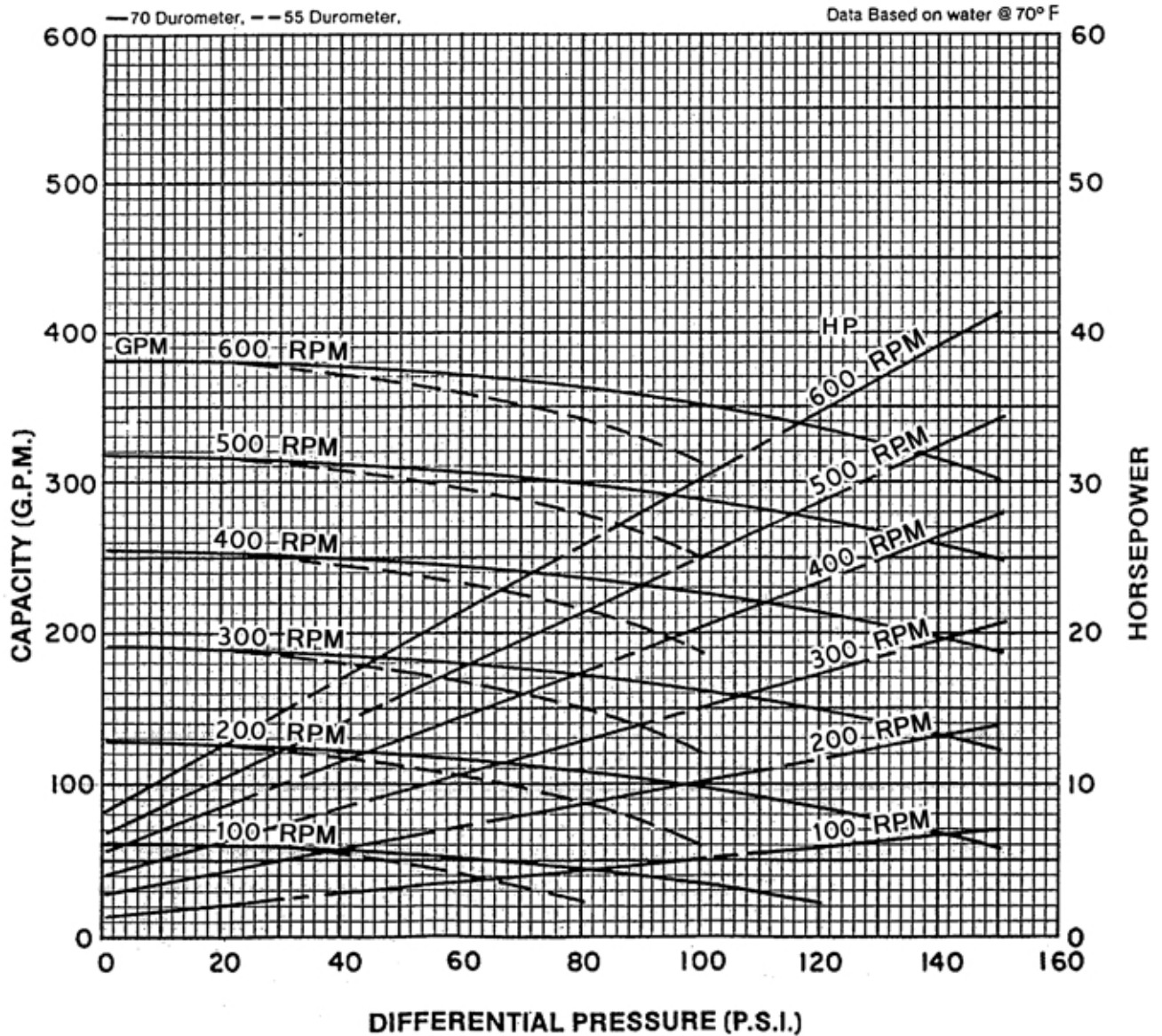
# Liberty 1LL12H

RPM	100	200	300	400	500	600	
NPSH REQ'D	1.4	2.8	4.6	8.1	11.5	15.0	
MIN. HP	3	5	7½	10	15	15	



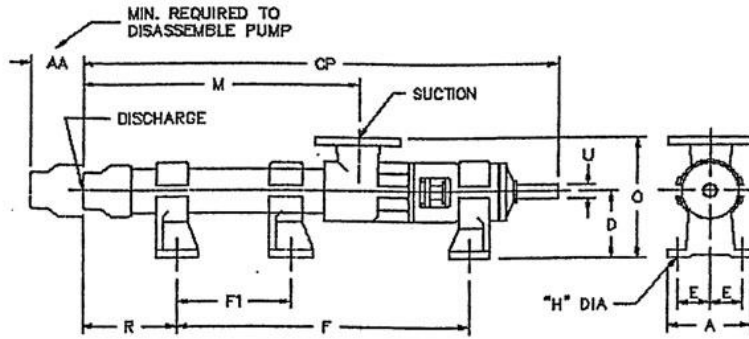
# Liberty 2LL12H

RPM	100	200	300	400	500	600	
NPSH REQ'D	1.4	2.8	4.6	8.1	11.5	15.0	
MIN. HP	5	10	15	20	20	25	





# Liberty Pump Series – Dimension Sheet



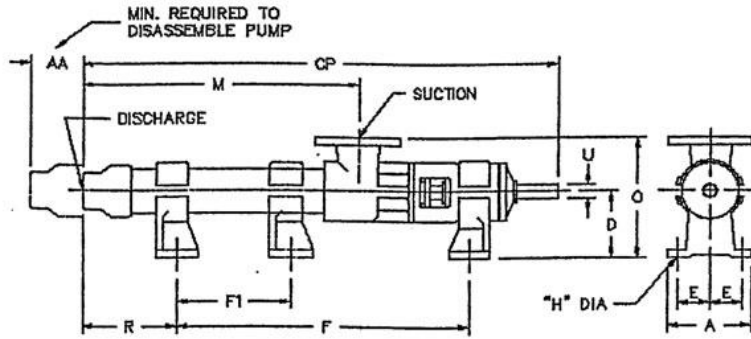
## Standard Pump Dimensions

Model	AA	CP	A	D	E	F	F1	H	M	O	R	U	Suct. Size	Disc. Size	Approx. Lbs.
2ML1	6.50	17.31	4.00	3.25	1.56	8.50	-	.37	7.62	5.88	4.56	.62	1.00	.75	22
3ML1	6.50	19.12	4.00	3.25	1.56	9.62	-	.37	9.44	5.88	5.25	.62	1.00	.75	24
6ML1	6.50	24.69	4.00	3.25	1.56	15.75	-	.37	15.00	5.88	4.69	.62	1.00	.75	30
1LL2	6.50	17.25	4.00	3.25	1.56	8.50	-	.37	7.56	5.88	4.50	.62	1.00	.75	22
2LL2	6.50	20.75	4.00	3.25	1.56	10.50	-	.37	11.06	5.88	6.00	.62	1.00	.75	25
3LL2	6.50	24.37	4.00	3.25	1.56	12.00	-	.37	14.69	5.88	8.12	.62	1.00	.75	31
6ML2	8.37	39.12	5.75	4.12	2.12	25.50	14.00	.44	26.50	7.31	7.94	.75	1.50	.75	55
1LL3	8.37	23.00	5.37	4.12	2.12	11.50	-	.44	10.37	7.31	5.81	.75	1.50	1.25	47
2LL3	8.37	28.31	5.37	4.12	2.12	13.00	-	.44	15.69	7.31	9.62	.75	1.50	1.25	51
3LL3	8.37	33.62	5.37	4.12	2.12	16.50	-	.44	21.00	7.31	11.44	.75	1.50	1.25	55
6ML3	11.37	54.62	7.00	5.50	2.75	37.50	22.00	.56	37.75	9.88	10.12	.94	2.50	1.25	105
1LL4	11.37	30.37	7.00	5.50	2.75	15.75	-	.56	13.50	9.88	7.62	.94	2.50	2.00	85
2LL4	11.37	37.44	7.00	5.50	2.75	22.00	-	.56	20.56	9.88	8.44	.94	2.50	2.00	91
3LL4	11.37	44.50	7.00	5.50	2.75	22.75	-	.56	27.62	9.88	14.75	.94	2.50	2.00	97
6ML4	14.25	71.25	8.62	6.25	3.50	45.00	25.00	.69	49.94	11.25	17.69	1.12	3.00	2.50	171
1LL6	14.25	39.37	8.62	6.25	3.50	20.00	-	.69	18.06	11.25	10.81	1.12	3.00	2.50	141
2LL6	14.25	50.00	8.62	6.25	3.50	26.00	-	.69	28.69	11.25	15.44	1.12	3.00	2.50	159
3LL6	14.25	60.62	8.62	6.25	3.50	38.00	18.00	.69	39.31	11.25	14.06	1.12	3.00	2.50	192
1LL8	18.37	46.31	11.50	8.00	4.50	27.00	-	.88	20.50	14.00	10.06	1.37	4.00	4.00	303
2LL8	18.37	58.75	11.50	8.00	4.50	32.00	-	.88	32.94	14.00	17.50	1.37	4.00	4.00	322
3LL8	18.37	71.12	11.50	8.00	4.50	49.00	24.00	.88	45.31	14.00	12.88	1.37	4.00	4.00	372
1LL10	31.88	53.62	11.50	9.75	4.50	30.00	-	.88	22.37	16.69	10.12	1.88	6.00	5.00	412
2LL10	31.88	64.00	11.50	9.75	4.50	35.50	-	.88	32.75	16.69	15.00	1.88	6.00	5.00	460
3LL10	31.88	74.37	11.50	9.75	4.50	48.00	18.00	.88	43.12	16.69	12.88	1.88	6.00	5.00	545
1LL10H	31.88	59.00	11.50	9.75	4.50	30.00	-	.88	27.75	16.69	15.50	1.88	6.00	5.00	424
2LL10H	31.88	74.37	11.50	9.75	4.50	48.00	18.00	.88	43.12	16.69	12.88	1.88	6.00	5.00	545
1LL12	37.75	70.19	14.50	12.50	6.31	37.50	-	1.00	31.44	21.00	14.69	2.25	8.00	6.00	880
2LL12	37.75	85.88	14.50	12.50	6.31	55.50	20.50	1.00	47.50	21.00	12.37	2.25	8.00	6.00	1075
3LL12	37.75	101.44	14.50	12.50	6.31	69.00	27.00	1.00	62.69	21.00	14.44	2.25	8.00	6.00	1200
<b>1LL12H</b>	<b>37.75</b>	<b>78.00</b>	<b>14.50</b>	<b>12.50</b>	<b>6.31</b>	<b>42.00</b>	-	<b>1.00</b>	<b>39.25</b>	<b>21.00</b>	<b>18.00</b>	<b>2.25</b>	<b>8.00</b>	<b>6.00</b>	<b>945</b>
2LL12H	37.75	101.44	14.50	12.50	6.31	69.00	27.00	1.00	62.69	21.00	14.44	2.25	8.00	6.00	1205

\*All listed dimensions in inches



# Liberty Pump Series – Dimension Sheet



## Standard Pump Dimensions

Model	AA	CP	A	D	E	F	F1	H	M	O	R	U	Suct. Size	Disc. Size	Approx. Lbs.
2ML1	6.50	17.31	4.00	3.25	1.56	8.50	-	.37	7.62	5.88	4.56	.62	1.00	.75	22
3ML1	6.50	19.12	4.00	3.25	1.56	9.62	-	.37	9.44	5.88	5.25	.62	1.00	.75	24
6ML1	6.50	24.69	4.00	3.25	1.56	15.75	-	.37	15.00	5.88	4.69	.62	1.00	.75	30
1LL2	6.50	17.25	4.00	3.25	1.56	8.50	-	.37	7.56	5.88	4.50	.62	1.00	.75	22
2LL2	6.50	20.75	4.00	3.25	1.56	10.50	-	.37	11.06	5.88	6.00	.62	1.00	.75	25
3LL2	6.50	24.37	4.00	3.25	1.56	12.00	-	.37	14.69	5.88	8.12	.62	1.00	.75	31
6ML2	8.37	39.12	5.75	4.12	2.12	25.50	14.00	.44	26.50	7.31	7.94	.75	1.50	.75	55
1LL3	8.37	23.00	5.37	4.12	2.12	11.50	-	.44	10.37	7.31	5.81	.75	1.50	1.25	47
2LL3	8.37	28.31	5.37	4.12	2.12	13.00	-	.44	15.69	7.31	9.62	.75	1.50	1.25	51
3LL3	8.37	33.62	5.37	4.12	2.12	16.50	-	.44	21.00	7.31	11.44	.75	1.50	1.25	55
6ML3	11.37	54.62	7.00	5.50	2.75	37.50	22.00	.56	37.75	9.88	10.12	.94	2.50	1.25	105
1LL4	11.37	30.37	7.00	5.50	2.75	15.75	-	.56	13.50	9.88	7.62	.94	2.50	2.00	85
2LL4	11.37	37.44	7.00	5.50	2.75	22.00	-	.56	20.56	9.88	8.44	.94	2.50	2.00	91
3LL4	11.37	44.50	7.00	5.50	2.75	22.75	-	.56	27.62	9.88	14.75	.94	2.50	2.00	97
6ML4	14.25	71.25	8.62	6.25	3.50	45.00	25.00	.69	49.94	11.25	17.69	1.12	3.00	2.50	171
1LL6	14.25	39.37	8.62	6.25	3.50	20.00	-	.69	18.06	11.25	10.81	1.12	3.00	2.50	141
2LL6	14.25	50.00	8.62	6.25	3.50	26.00	-	.69	28.69	11.25	15.44	1.12	3.00	2.50	159
3LL6	14.25	60.62	8.62	6.25	3.50	38.00	18.00	.69	39.31	11.25	14.06	1.12	3.00	2.50	192
1LL8	18.37	46.31	11.50	8.00	4.50	27.00	-	.88	20.50	14.00	10.06	1.37	4.00	4.00	303
2LL8	18.37	58.75	11.50	8.00	4.50	32.00	-	.88	32.94	14.00	17.50	1.37	4.00	4.00	322
3LL8	18.37	71.12	11.50	8.00	4.50	49.00	24.00	.88	45.31	14.00	12.88	1.37	4.00	4.00	372
1LL10	31.88	53.62	11.50	9.75	4.50	30.00	-	.88	22.37	16.69	10.12	1.88	6.00	5.00	412
2LL10	31.88	64.00	11.50	9.75	4.50	35.50	-	.88	32.75	16.69	15.00	1.88	6.00	5.00	460
3LL10	31.88	74.37	11.50	9.75	4.50	48.00	18.00	.88	43.12	16.69	12.88	1.88	6.00	5.00	545
1LL10H	31.88	59.00	11.50	9.75	4.50	30.00	-	.88	27.75	16.69	15.50	1.88	6.00	5.00	424
2LL10H	31.88	74.37	11.50	9.75	4.50	48.00	18.00	.88	43.12	16.69	12.88	1.88	6.00	5.00	545
1LL12	37.75	70.19	14.50	12.50	6.31	37.50	-	1.00	31.44	21.00	14.69	2.25	8.00	6.00	880
2LL12	37.75	85.88	14.50	12.50	6.31	55.50	20.50	1.00	47.50	21.00	12.37	2.25	8.00	6.00	1075
3LL12	37.75	101.44	14.50	12.50	6.31	69.00	27.00	1.00	62.69	21.00	14.44	2.25	8.00	6.00	1200
1LL12H	37.75	78.00	14.50	12.50	6.31	42.00	-	1.00	39.25	21.00	18.00	2.25	8.00	6.00	945
<b>2LL12H</b>	<b>37.75</b>	<b>101.44</b>	<b>14.50</b>	<b>12.50</b>	<b>6.31</b>	<b>69.00</b>	<b>27.00</b>	<b>1.00</b>	<b>62.69</b>	<b>21.00</b>	<b>14.44</b>	<b>2.25</b>	<b>8.00</b>	<b>6.00</b>	<b>1205</b>

\*All listed dimensions in inches